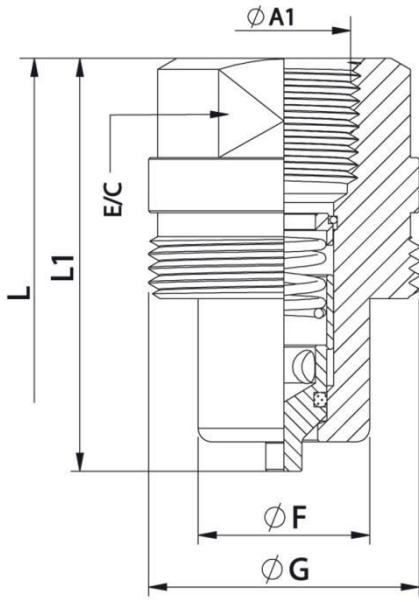






HPA SERIES POPPET VALVE

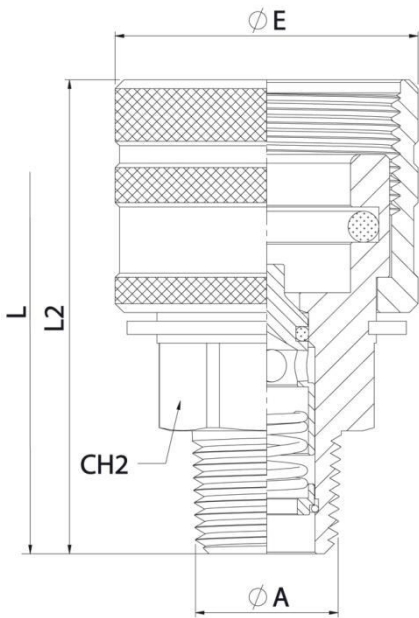


STANDARD MALE MODELS

DN	ØA1	REF.		E/C	ØG	L1	ØF	L
06	1/4" NPTF	202.11141BB	1200Bar	*	*	*	*	*
10	3/8" NPTF	202.11142BC	1200Bar	24	1 3/16" UN	38,88	18,99	72,75

STAINLESS STEEL MALE MODELS

DN	ØA1	REF.		E/C	ØG	L1	ØF	L
06	1/4" NPTF	202.21121BB	1200Bar	*	*	*	*	*
10	3/8" NPTF	202.21122BC	1200Bar	24	1 3/16" UN	42,50	18,99	72,75



STANDARD FEMALE MODELS

DN	ØA	REF.		CH2	L2	ØE	L
06	1/4" NPTF M.	202.12141BM	1200Bar	*	*	*	*
10	3/8" NPTF M.	202.12142BN	1200Bar	22	45,50	34,50	72,75

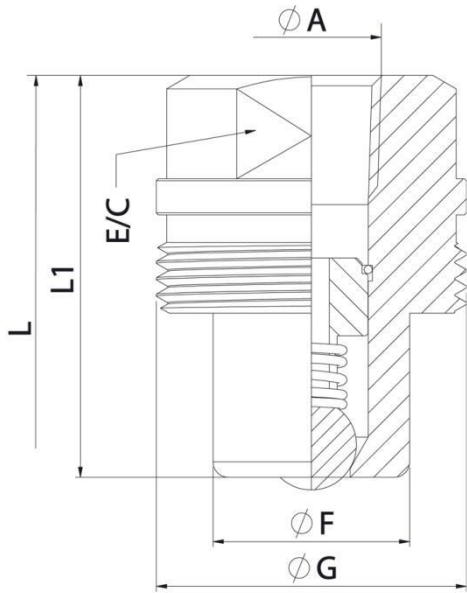
STAINLESS STEEL FEMALE MODELS

DN	ØA	REF.		CH2	L2	ØE	L
06	1/4" NPTF M.	202.22121BM	1200Bar	*	*	*	*
10	3/8" NPTF M.	202.22122BN	1200Bar	22	45,50	34,50	72,75




HPA SERIES BALL VALVE


202-3

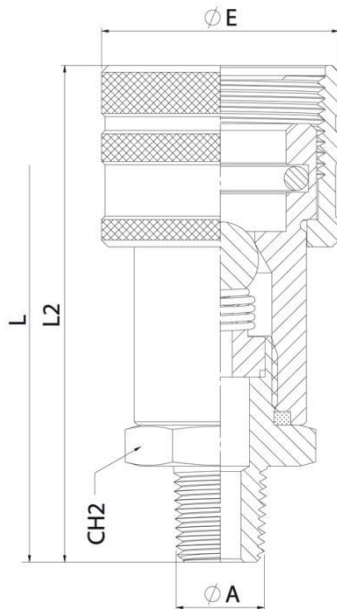


STANDARD MALE MODELS

DN	ϕA	REF.		E/C	ϕG	L1	ϕF	L
06	1/4" NPTF	202.11201BB	700Bar	19	1"UN	34	15,85	75,5
10	3/8" NPTF	202.11202BC	700Bar	24	1 3/16" UN	38,88	18,99	87,14

STAINLESS STEEL MALE MODELS

DN	ϕA	REF.		E/C	ϕG	L1	ϕF	L
06	1/4" NPTF	202.21201BB	700Bar	19	1"UN	34	15,85	75,5
10	3/8" NPTF	202.21202BC	700Bar	24	1 3/16" UN	38,88	18,99	87,14



STANDARD FEMALE MODELS

DN	ϕA	REF.		CH2	L2	ϕD	L
06	1/4" NPTF M.	202.12241BM	700Bar	19	53	30	75,5
10	3/8" NPTF M.	202.12242BN	700Bar	24	64	34,50	87,14

STAINLESS STEEL FEMALE MODELS

DN	ϕA	REF.		CH2	L2	ϕD	L
06	1/4" NPTF M.	202.22221BM	700Bar	19	53	30	75,5
10	3/8" NPTF M.	202.22222BN	700Bar	24	64	34,50	87,14