

205-1



STG SERIES

BSP / NPTF
DIN3852 / SAE



Poppet valve closing system
BSP, NPTF, DIN2353, DIN3852, SAE/ORB and other threads upon request.
AISI 316 available only by minimum quantities.

• Materials

Carbon Steel *EN -10277-3 / AISI 316L*

Seals: NBR, Viton or EPDM

Back-up-ring: PTFE

Springs: *Carbon Steel DIN 17233/84(B)*

• Working temperature (Seals)

	NBR	Viton	EPDM
+	+100°C	+200°C	+150°C
-	-30°C	-10°C	-40°C

• Applications: Designed for Oil hydraulic Applications according to European Directive 97.23.EC Special for American market

• Equivalence

FASTER CVV
ARGUS HD
VOSWINKEL HS

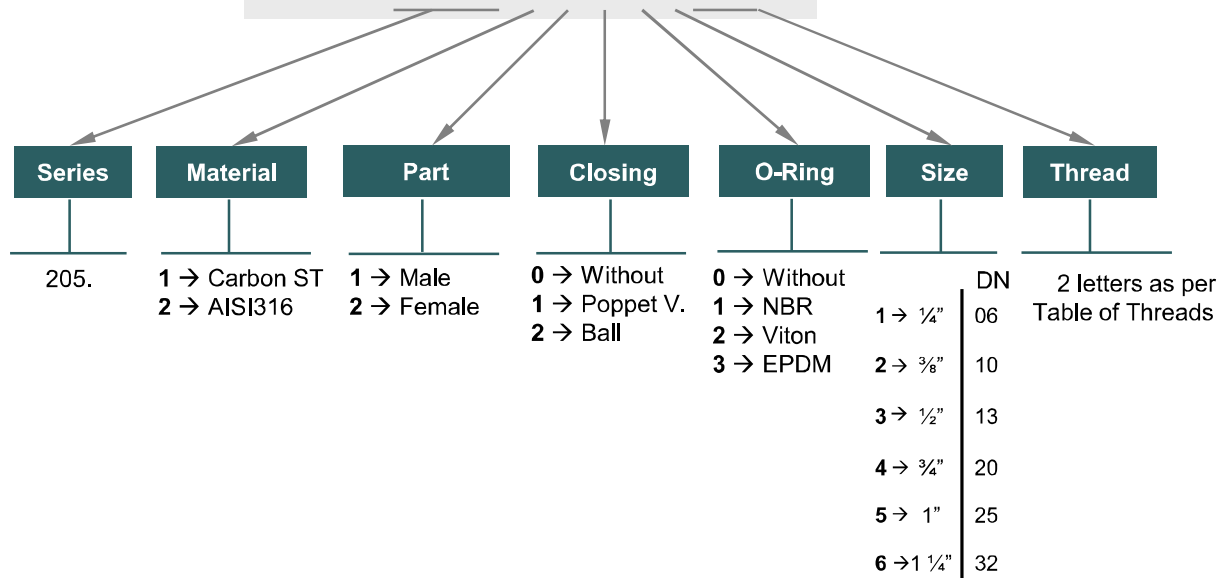
• Sectors: Industrial, Agricultural, Construction machinery.



MODEL STRUCTURE

Example;

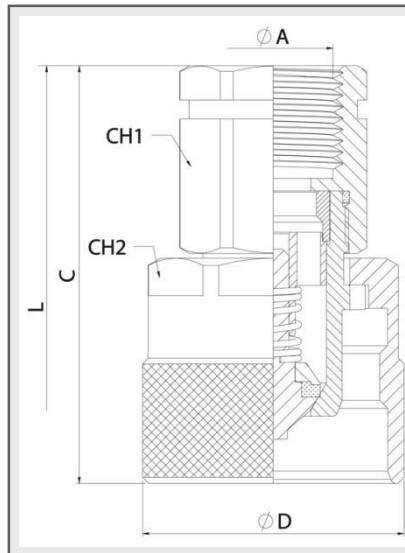
205.12115 AF



STG SERIES

BSP / NPTF
DIN3852 / SAE

205-2

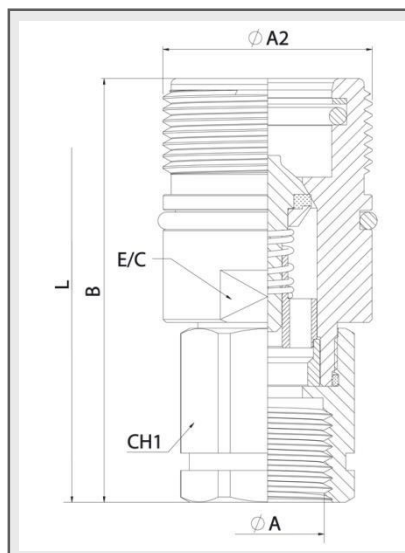


MALE

DN	CH1	CH2	C	ØD	L
06	19	30	59,30	34	94
10	22	30	61,20	34	98
13	27	36	67,50	41,80	109
20	36	41	80	48	135
25	41	55	87,5	59,80	152
32	50	75	142	79,80	241,80

STANDARD MODELS

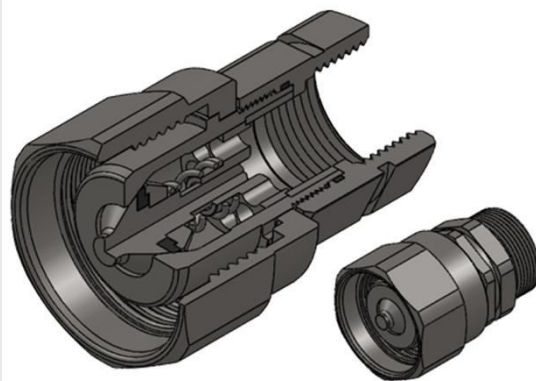
DN	ØA	MALE	FEMALE	
06	1/4" BSP	205.11111AB	205.12111AB	450Bar
		205.11111BB	205.12111BB	
		M14x1,5	205.12111NC	
10	1/4" BSP	205.11112AB	205.12112AB	450Bar
		205.11112AC	205.12112AC	
		205.11112BC	205.12112BC	
13	3/8" BSP	205.11113AC	205.12113AC	400Bar
		205.11113AD	205.12113AD	
		205.11113BD	205.12113BD	
		205.11113NE	205.12113NE	
		205.11113NG	205.12113NG	
		205.11113GF	205.12113GF	
20	1/2" BSP	205.11114AE	205.12114AE	300Bar
		205.11114BE	205.12114BE	
		205.11114NG	205.12114NG	
25	3/4" BSP	205.11115AE	205.12115AE	300Bar
		205.11115AF	205.12115AF	
		205.11115BF	205.12115BF	
32	1" BSP	205.11116AG	205.12116AG	300Bar
		205.11116BG	205.12116BG	
		205.11116BH	205.12116BH	



FEMALE

DN	CH1	E/C	B	ØA2	L
06	19	22	60	Rd 24x2	94
10	22	24	64	Rd 28x2	98
13	27	32	70	Rd 36x2	109
20	36	36	86	Rd 42x2	135
25	41	41	100	Rd 48x3	152
32	50	60	150	Rd 70x3	241,80

SPECIAL EDITION



For request with hexagonal nut use reference 215 instead of 205.