

140-1



CVF SERIES



Free flow (without valve)
BSP Threads, other threads available upon request.

• Materials

Carbon Steel *EN -10277-3 / AISI 316L / Brass*

Seals: NBR, Viton or EPDM

Back-up-ring: PTFE

Balls: *AISI 1010 / 1015*

Springs: *Carbon Steel DIN 17233 / 84(B)*

• Applications: Designed for Oil hydraulic Applications according to European Directive 97.23.EC

• Equivalence

GROMELLE 7000

• Working temperature (Seals)

	NBR	Viton	EPDM
	+100°C	+200°C	+150°C
	-30°C	-10°C	-40°C

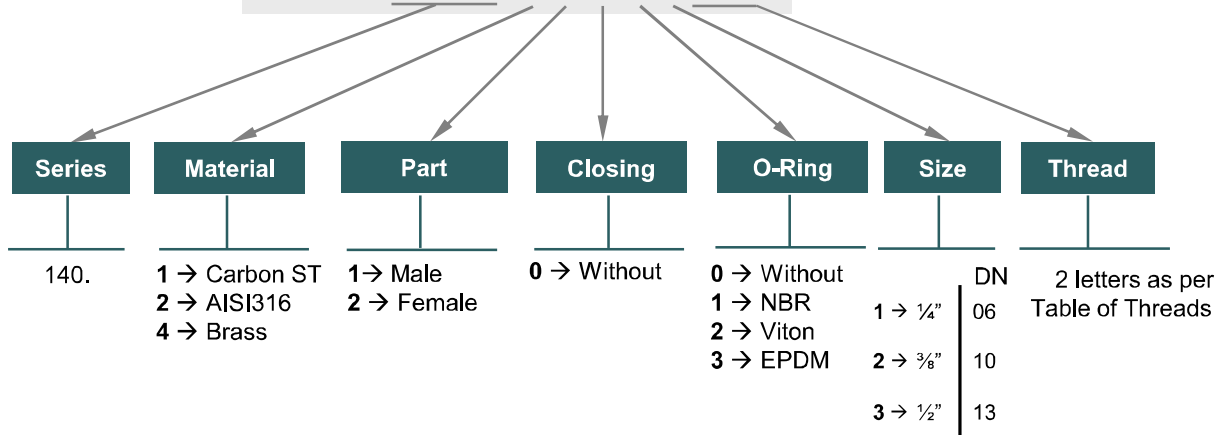
• Sectors: Industrial, High pressure cleaning systems



MODEL STRUCTURE

Example;

140.11001 AB

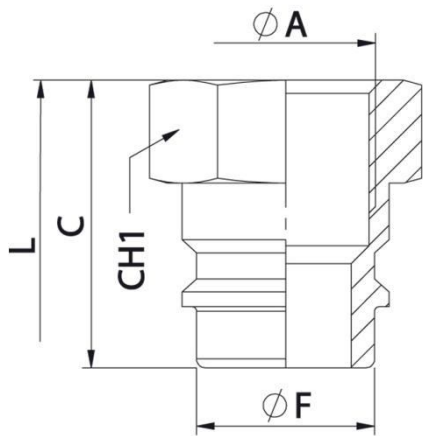





CVF SERIES

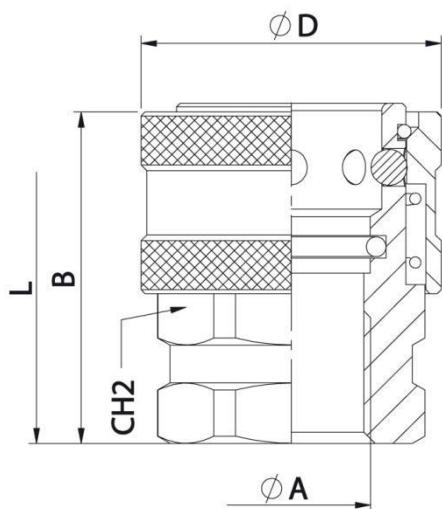
140-2

Quick couplings upon request and subjected to minimum quantities.
Nickel-plated product → add 011 at the end of the reference.




MALE (CARBON ST.)

DN	ØA	CH1	C	ØF	L	REF.	
06	1/4" BSP	19	25	14,10	45,10	140.11001AB	700 Bar
10	3/8" BSP	22	28	18,90	48,50	140.11002AC	600 Bar
13	1/2" BSP	27	33	20,40	55,50	140.11003AD	500 Bar



FEMALE (CARBON ST.)

DN	ØA	CH2	B	ØD	L	REF.	
06	1/4" BSP	22	35	29,50	45,10	140.12011AB	700 Bar
10	3/8" BSP	27	38	34	48,50	140.12012AC	600 Bar
13	1/2" BSP	32	45	39,50	55,50	140.12013AD	500 Bar