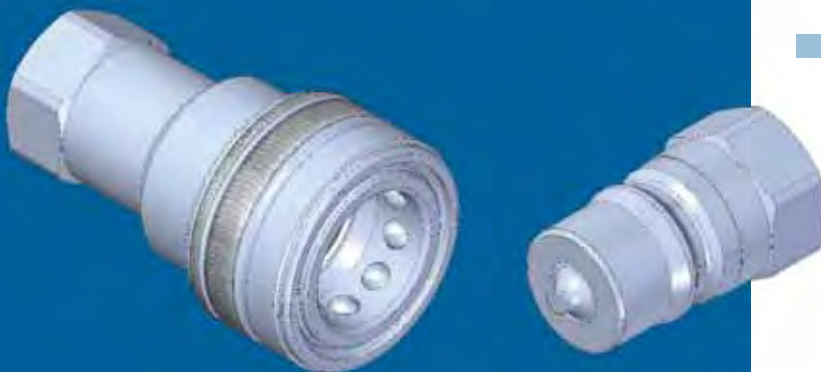


# PBV1



## Caratteristiche tecniche

- Norma: ISO 7241-1 B
- Occlusione: valvola
- Aggancio: sfere radiali
- Materiale: acciaio
- Finitura: Zn-Fe (Cr III)
- Filettature: BSP - NPT
- Guarnizioni standard: NBR
- Temperatura d'esercizio: -25 °C +100 °C
- Guarnizioni opzionali: FKM, EPDM o altro
- Pressioni di esercizio: 50-500 bar
- Connessione in pressione: non consentita

Nominal size				Max working pressure	Rated flow	Max flow rate	Min burst pressure			Fluid spillage
DNP	BG	ISO	mm				Male	Female	Coupled	
04	0	5	4,2	50	3	9	240	230	270	0,5
06	1	6.3	6,5	25	12	24	110	180	100	1
10	2	10	8,5	25	23	46	140	140	130	2,4
13	3	12.5	10,5	25	45	90	110	140	110	3,9
20	4	19	15,8	25	106	220	100	130	120	11
25	5	25	17,3	20	189	260	100	110	100	19
39	7	40	36	6	379	757	25	25	25	95
50	8	50	50	5	757	1000	20	20	20	170

## Technical data

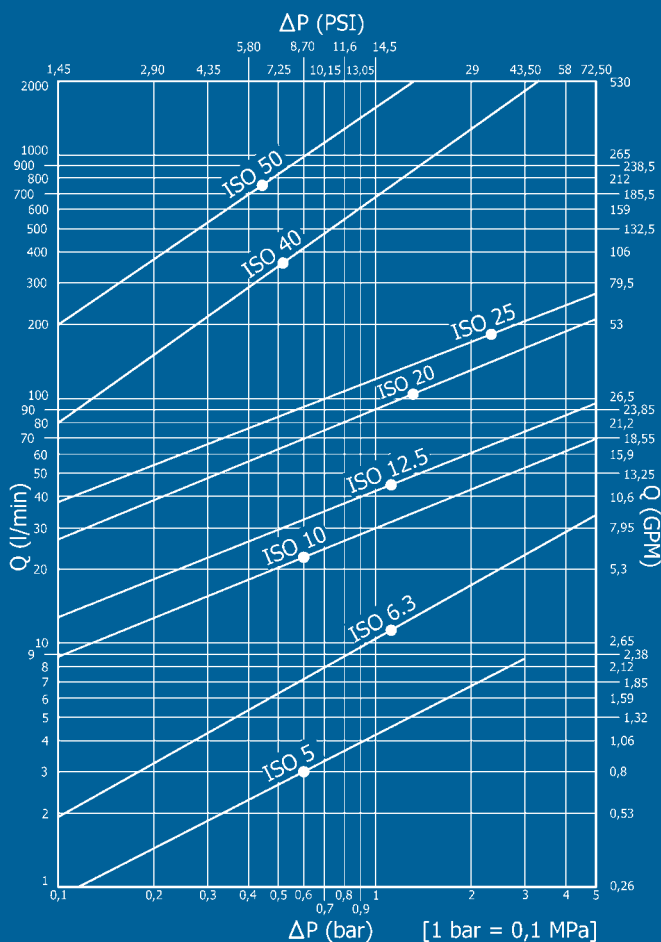
- Standard: ISO 7241-1 B
- Occlusion: poppet
- Locking: radial balls
- Material: steel
- Finishing: Zn-Fe (Cr III)
- Threads: BSP – NPT
- Standard seals: NBR
- Working temperature: -25 °C +100 °C
- Optional seals: FKM, EPDM or more
- Working pressure: 50-500 bar
- Connection under pressure: not allowed

## Technische Merkmale

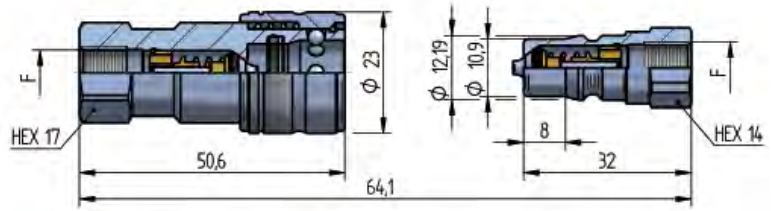
- Norm: ISO 7241-1 B
- Verschluss: ventil
- Kupplung: Radialkugeln
- Werkstoff: Stahl
- Ausführung: Zn-Fe (Cr III)
- Gewinde: BSP – NPT
- Standard-Dichtungen: NBR
- Betriebstemperatur: -25 °C +100 °C
- Dichtungen nach Wahl: FKM, EPDM, usw.
- Betriebsdruck: 50-500 bar
- Kuppeln unter Druck: nicht möglich

## Caracteristiques techniques

- Norme: ISO 7241-1 B
- Obturation: clapet
- Accrochage: billes radiales
- Matériel: acier
- Traitement: Zn-Fe (Cr III)
- Taraudage: BSP – NPT
- Joints standard: NBR
- Température de service: -25 °C +100 °C
- Joints facultatifs: FKM, EPDM, ect.
- Pression de service: 50-500 bar
- Connexion sous pression: pas possible

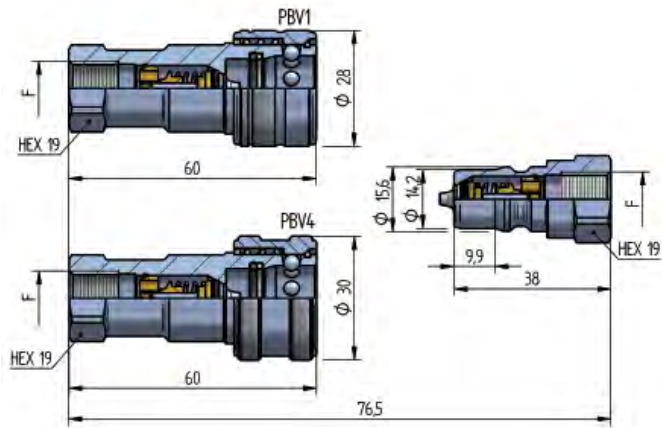


**PBV1 DN04 - BG 0 - ISO 5**



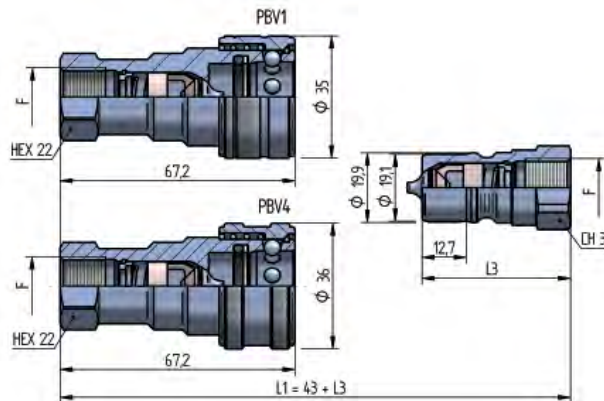
F	STANDARD	FEMMINA - FEMALE - MUFFE - FEMELLE			MASCHIO - MALE - STECKER - MALE		
		COD. F	Weight (g)	Packaging (pcs.)	COD. M	Weight (g)	Packaging (pcs.)
BSP 1/8"	DIN 3852-2-X	PBV1.0404.002	89	160	PBV1.0404.003	20	500
NPT 1/8"	ANSI B1.20.3	PBV1.0404.012	89	160	PBV1.0404.013	20	500

**PBV1 DN06 - BG 1 - ISO 6.3**

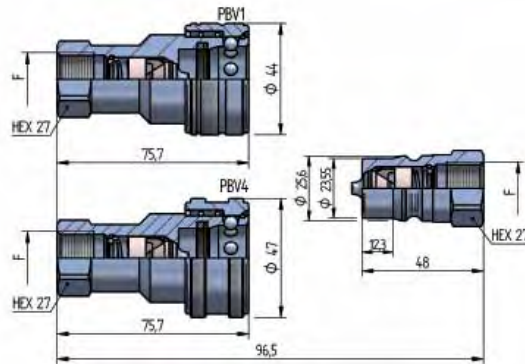


F	STANDARD	FEMMINA - FEMALE - MUFFE - FEMELLE			MASCHIO - MALE - STECKER - MALE		
		COD. F	Weight (g)	Packaging (pcs.)	COD. M	Weight (g)	Packaging (pcs.)
BSP 1/4"	DIN 3852-2-X	PBV1.0606.002	123	100	PBV1.0606.003	39	300
NPT 1/4"	ANSI B1.20.3	PBV1.0606.012	124	100	PBV1.0606.013	40	300
BSP 1/4"	DIN 3852-2-X	PBV4.0606.002	133	80			
NPT 1/4"	ANSI B1.20.3	PBV4.0606.012	134	80			

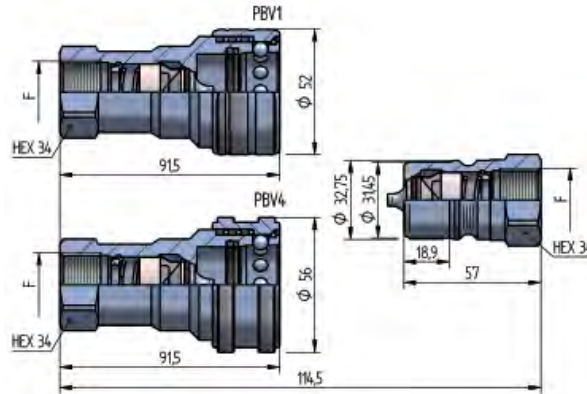
**PBV1 DN10 - BG 2 - ISO 10**



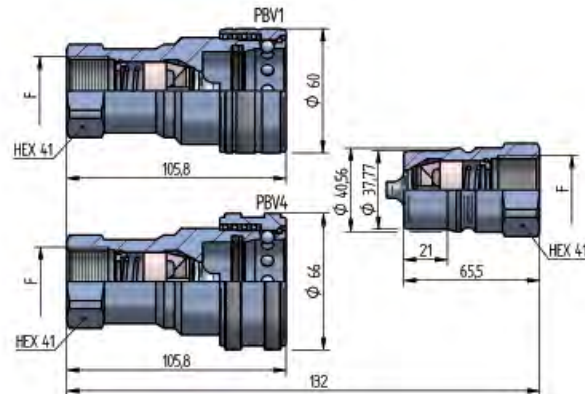
CH3	L3	F	STANDARD	FEMMINA - FEMALE - MUFFE - FEMELLE			MASCHIO - MALE - STECKER - MALE			
				COD. F	Weight (g)	Packaging (pcs.)	COD. M	Weight (g)	Packaging (pcs.)	
	22	42,5	BSP 3/8"	DIN 3852-2-X	PBV1.1010.002	194	54	PBV1.1010.003	61	200
	22	42,5	NPT 3/8"	ANSI B1.20.3	PBV1.1010.012	196	54	PBV1.1010.013	62	200
	27	46	3/4" - 16 UNF 2B	SAE J 1926-1				PBV1.1019.033	82	150
	22	42,5	BSP 3/8"	DIN 3852-2-X	PBV4.1010.002	198	40			
	22	42,5	NPT 3/8"	ANSI B1.20.3	PBV4.1010.012	200	40			

**PBV1 DN13 - BG 3 - ISO 12.5**


F	STANDARD	FEMMINA - FEMALE - MUFFE - FEMELLE			MASCHIO - MALE - STECKER - MALE		
		COD. F	Weight (g)	Packaging (pcs.)	COD. M	Weight (g)	Packaging (pcs.)
BSP 1/2"	DIN 3852-2-X	PBV1.1313.002	346	45	PBV1.1313.003	112	200
NPT 1/2"	ANSI B1.20.3	PBV1.1313.012	349	45	PBV1.1313.013	115	200
BSP 1/2"	DIN 3852-2-X	PBV4.1313.002	373	30			
NPT 1/2"	ANSI B1.20.3	PBV4.1313.012	376	30			

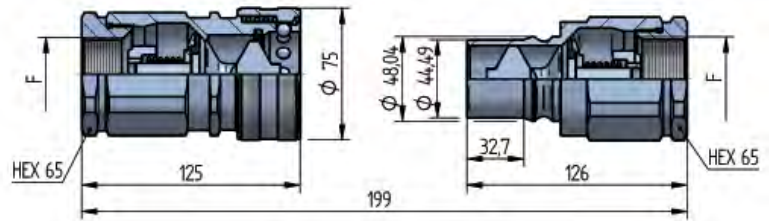
**PBV1 DN20 - BG 4 - ISO 19**


F	STANDARD	FEMMINA - FEMALE - MUFFE - FEMELLE			MASCHIO - MALE - STECKER - MALE		
		COD. F	Weight (g)	Packaging (pcs.)	COD. M	Weight (g)	Packaging (pcs.)
BSP 3/4"	DIN 3852-2-X	PBV1.2019.002	548	25	PBV1.2019.003	202	45
NPT 3/4"	ANSI B1.20.3	PBV1.2019.012	551	25	PBV1.2019.013	207	45
BSP 3/4"	DIN 3852-2-X	PBV4.2019.002	593	20			
NPT 3/4"	ANSI B1.20.3	PBV4.2019.012	596	20			

**PBV1 DN25 - BG 5 - ISO 25**


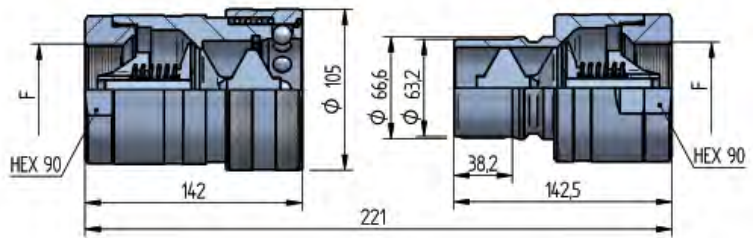
F	STANDARD	FEMMINA - FEMALE - MUFFE - FEMELLE			MASCHIO - MALE - STECKER - MALE		
		COD. F	Weight (g)	Packaging (pcs.)	COD. M	Weight (g)	Packaging (pcs.)
BSP 1"	DIN 3852-2-X	PBV1.2525.002	860	18	PBV1.2525.003	355	30
NPT 1"	ANSI B1.20.3	PBV1.2525.012	870	18	PBV1.2525.013	364	30
BSP 1"	DIN 3852-2-X	PBV4.2525.002	990	10			
NPT 1"	ANSI B1.20.3	PBV4.2525.012	1000	10			

**PBV1 DN39 - BG 7 - ISO 40**



F	STANDARD	FEMMINA - FEMALE - MUFFE - FEMELLE			MASCHIO - MALE - STECKER - MALE		
		COD. F	Weight (g)	Packaging (pcs.)	COD. M	Weight (g)	Packaging (pcs.)
BSP 1"¼	DIN 3852-2-X	PBV1.3931.002	2008	8	PBV1.3931.003	1355	8
NPT 1"¼	ANSI B1.20.3	PBV1.3931.012	2020	8	PBV1.3931.013	1368	8
BSP 1"½	DIN 3852-2-X	PBV1.3939.002	1929	8	PBV1.3939.003	1276	8
NPT 1"½	ANSI B1.20.3	PBV1.3939.012	1944	8	PBV1.3939.013	1291	8

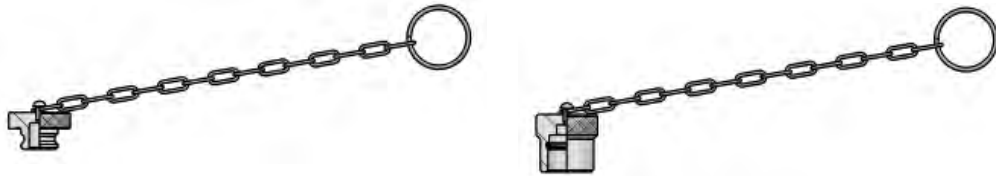
**PBV1 DN50 - BG 8 - ISO 50**



F	STANDARD	FEMMINA - FEMALE - MUFFE - FEMELLE			MASCHIO - MALE - STECKER - MALE		
		COD. F	Weight (g)	Packaging (pcs.)	COD. M	Weight (g)	Packaging (pcs.)
BSP 2"	DIN 3852-2-X	PBV1.5051.002	4900	4	PBV1.5051.003	3100	4
NPT 2"	ANSI B1.20.3	PBV1.5051.012	5000	4	PBV1.5051.013	3200	4

**PLASTIC**


NOMINAL SIZE			FEMALE DUST PLUG			MALE DUST CAP			COLOUR	MATERIAL
DNP	BG	ISO	COD. F	Weight (g)	Packaging (pcs.)	COD. M	Weight (g)	Packaging (pcs.)		
04	0	5	SPBV.04002	7	150	SPBV.04003	7	150	BLUE	PVC
06	1	6.3	SPBV.06002	8	100	SPBV.06003	8	100	RED	PVC
10	2	10	SPBV.10002	10	100	SPBV.10003	8	100	RED	PVC
13	3	12.5	SPBV.13002	12	50	SPBV.13003	11	50	RED	PVC
20	4	19	SPBV.20002	16	25	SPBV.20003	14	25	RED	PVC
25	5	25	SPBV.25002	22	25	SPBV.25003	20	25	RED	PVC

**METAL**


NOMINAL SIZE			FEMALE DUST PLUG			MALE DUST CAP			COLOUR	MATERIAL
DNP	BG	ISO	COD. F	Weight (g)	Packaging (pcs.)	COD. M	Weight (g)	Packaging (pcs.)		
06	1	6.3	SPBV.06202	33	100	SPBV.06203	30	100	-	Aluminium
06	1	6.3				SPBV.06303	49	100	-	AISI 316
10	2	10	SPBV.10202	42	80	SPBV.10203	40	80	-	Aluminium
13	3	12.5	SPBV.13202	51	50	SPBV.13203	48	50	-	Aluminium
20	4	19	SPBV.20202	60	25	SPBV.20203	54	25	-	Aluminium
25	5	25	SPBV.25202	75	20	SPBV.25203	70	20	-	Aluminium
39	7	40	SPBV.39202	90	10	SPBV.39203	80	10	-	Aluminium
50	8	50	SPBV.50202	140	5	SPBV.50203	140	5	-	Aluminium

**GUARNIZIONI DI RICAMBIO / SPARE PARTS / ERSATZDICHTUNGEN / JOINTS**

AL CODICE DELLA GUARNIZIONE IN NBR AGGIUNGERE 'E' PER EPDM o 'V' PER VITON

TO THE NBR GASKET CODE ADD 'E' FOR EPDM OR 'V' FOR VITON

ZU DER ARTIKELNR. DER NBR DICHTUNG GEBEN SIE 'E' FUER EPDM ODER 'V' FUER VITON AN

AU CODE DU JOINT EN NBR JOINDRE 'E' POUR EPDM OU 'V' POUR VITON

NOMINAL SIZE			FEMALE GASKET	
DNP	BG	ISO	NBR	PTFE
04	0	5	PBV.004.120	PBV.004.130
06	1	6.3	PBV.006.120	PBV.006.130
10	2	10	PBV.010.120	PBV.010.130
13	3	12.5	PBV.013.120	PBV.013.130
20	4	19	PBV.019.120	PBV.019.130
25	5	25	PBV.025.120	PBV.025.130
39	7	40	PBV.039.120	-
50	8	50	PBV.050.120	-