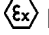



Differential Pressure switch series D4 and D7

General purpose or Ex-proof according UL or ATEX
(EEx d or EEx ia)
Accuracy: $\pm 1\%$



Features

- Ambient temperature up to 60 °C for EEx applications
-  II 2 GD or  II 1 GD
- Class 1 Division 1 Gr. B, C and D according UL
- Protection IP54, IP66 or NEMA 4, 4X, 7, 9 and 13 (UL)
- Wetted parts available in several materials
- High static pressure up to 140 bar

Ranges

75 mbar diff. up to 42 bar diff.
30 in. H₂O up to 600 psid

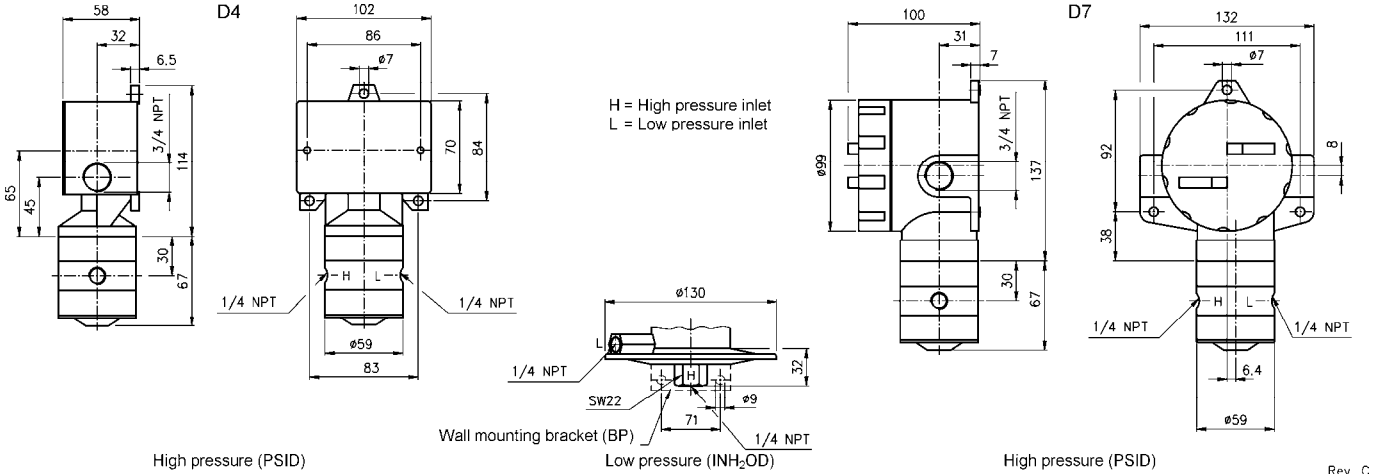
Applications

Chemical and petrochemical industry
Machine and apparatus construction
Food and beverage industry
Pulp and paper industry



Technical specification	D4 series	D7 series	
Construction	Weatherproof	Ex-proof according UL CSA on request	Ex-proof according CENELEC (ATEX) EN 50 0-14, -18, -20
Switch functions Adjustable range Deadband	One setpoint, single pole double throw (SPDT) or 2 times SPDT (2SPDT) From 15 % to 100 % F.S., below 15 % consult factory From 0,5 % to 15 % F.S., depending on material, range and microswitch		
Measuring principle Range [mbar] [bar]	Diaphragm-piston-cylinder-system 75 150 250 375 1 2 4 6 7 14 28 42		
Limits (pressure ranges) Max. static pressure [bar] Proof pressure [bar]	mbar 1 to 6 bar 7 to 14 bar 28 bar 42 bar 0,37 35 69 69 138 1,5 138 276 551 551 Optional 100 bar static pressure for the ranges 1 bar and 2 bar (only diaphragm Buna N or Viton)		
Pressure type	Differential pressure		
Process connection	¼ NPT female (standard), ½ NPT male, ½ NPT female G ½ B male, M20x1,5 (metric connections with adapter), others on request		
Connection location	For mbar ranges lower and side, for bar ranges at the side		
Material Pressure connection Diaphragm Housing	Standard Nickel plated brass, optional stainless steel 316 (1.4401) or Monel For mbar ranges steel epoxy coated standard, stainless steel on request Buna N, Viton (max. 42 bar), Teflon, stainless steel 316 (1.4401) (stainless steel only from 1 to 6 bar) Aluminum, epoxy coated black		
Accuracy	1,0 % F.S.		
Electrical specification			
Microswitch ratings	Up to max. 6 A 30 VDC respectively 22 A 250 VAC (see microswitch table)		
Ex-proof	Class 1 Div. 1 Gr. B, C and D Class 2 Div. 1 Gr. E, F and G	EEx d IIC T6 Sira 02 ATEX 1391	
Intrinsically safe		EEx ia IIC T4 Sira 04 ATEX 2081	
Electrical connection	¼ NPT female, optional cable glands, ½ NPT with reducer bushing, M20x1,5, others on request		
General specification			
Permissible Ambient temperature Medium temperature Storage temperature Effect	-25 ... 60 °C Buna N and Teflon -18 ... 65 °C, Viton -7 ... 150 °C, stainless steel -18 ... 150 °C (Medium temperature of ATEX approved switches is restricted due to temperature class.) -40 ... 60 °C Max. 0,4 % / 10 K ref. 20 °C		-25 ... 65 °C -20 ... 60 °C
Protection according UL Protection according EN 60 529/IEC 529	NEMA 4, 4X and 13 IP54, optional IP66	NEMA 7 and 9 IP66	
CE-mark	Low voltage regulations: EN 61 010-1, EN 60 947-1		
Mounting	Standard stem, wall (BP) or 2" pipe mounting (TM)		
Weight mbar/bar [kg]	1,2/1,6	1,7/2,0	
Accessories, options	Diaphragm seals, valves, adapters, NACE		

General dimensions [mm]



Order information

Switch element	Material actuator seal	Range	Engineering unit	Protection	Process connection	Electrical connection	Options
SPDT	(B) Buna N ¹⁾	30	INH2OD	(IP) Standard	(25) ¼ NPT female	(=) Standard	(NH) Tagging wired
(20) Narrow deadband ¹⁾ (15 A 250/480 VAC, 0,4A 120VDC)	(V) Viton ²⁾	60		D4 IP54 D7 IP66		(JL) ¼ to ½ NPT female reducing bushing	(FS) Factory adjusted setpoint
(21) Ammonia service (5A 250 VAC, 6 A 30 VDC)	(T) Teflon ¹⁾	150		(IP65) IP66 (for D4)	(06) ½ NPT male ¹⁾		(6B) Oxygen cleaned (not for Buna N diaphragm; in H ₂ O ranges only with option TA)
(22) Hermetically sealed (5 A 250 VAC)	(S) 316 (1.4401) ³⁾	15	PSID	(UL) UL approval D4 NEMA 4 D7 NEMA 7 & 9	(07) ½ NPT female ¹⁾	(JM) ¾ NPT to M20x1,5 female reducing bushing	
(23) Heavy duty AC (22 A 250 VAC)		30		(CEN3) ATEX EEx d with cable gland EEx d PG13,5 (only for D7)	(15) G ½ B male ¹⁾		(TM) 2" pipe mounting bracket
(24) General purpose ¹⁾ (15 A 250 VAC, 6 A 30 VDC)		60		(CEN4) ATEX EEx d ¾ NPT thread female (only for D7)	(16) M20x1,5 male ¹⁾	(K3) Terminal block (standard for D7 with 2xSPDT, not for D4)	(TA) 316 (1.4401) pressure connection for in. H ₂ OD ranges
(26) Sealed environment proof ¹⁾ (15 A 250 VAC, 0,4A 120VDC)		100		(CEN6) ATEX EEx ia ¾ NPT thread female (only for D7)		(KV2) Plastic cable gland IP65, PG11	(UD) 316 (1.4401) pressure connection for psid ranges
(27) High temp. (max. 150 °C) (15 A 250 VAC)		150		(CEN7) ATEX EEx ia with cable gland EEx d PG13,5 (only for D7)		(KV3) Plastic cable gland IP65, PG13,5	(BP) Wall mounting bracket for in. H ₂ OD ranges
(31) Low level (gold) contacts (1 A 125 VAC, 500mA 28VDC)		200				(KV4) Plastic cable gland IP65, PG16	(HS) High static pressure 100 bar (only for ranges 15 and 30 psid and diaphragm Buna N or Viton)
(32) Hermetically sealed general purpose (11 A 250 VAC, 5 A 28 VDC)		400				(KV52) Plastic cable gland PG13,5	(MD) Metric ranges
(42) Hermetically sealed, gold contacts (1 A 125 VAC)		600					
(50) Variable deadband (15 A 250 VAC)							
2xSPDT							
(61) see code (20)							
(62) see code (26)							
(63) see code (27)							
(64) see code (24)							
(65) see code (21)							
(67) see code (22) (not D4 series)							
(68) see code (32) (not D4 series)							
(70) see code (31)							
(71) see code (42) (not D4 series)							
¹⁾ VDC rating not UL listed							
	¹⁾ max. medium temperature -18 ... 65 °C						
	²⁾ max. medium temperature -7 ... 150 °C						
	³⁾ max. medium temperature -18 ... 150 °C only ranges from 15 to 90 psid						
							Note the range can also be specified in mbar or bar
							¹⁾ with adapter

How to order

Type	Switch element	Material actuator seal	Range	Engineering unit	Protection	Process connection	Electrical connection	Option
D7	24	B	10/100	PSID	UL	25	JL	NH

Ashcroft Instruments GmbH

晟拓巨博 (北京) 科技有限公司

电话 : 010-5703 8838

传真 : 010-5812 6703 转 1002

邮箱 : sales@chinascsc.com

网址 : www.chinascsc.com