

专利



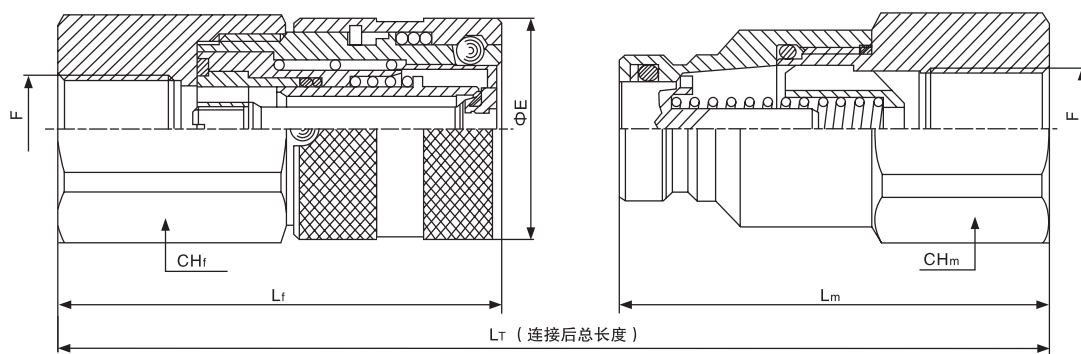
A型 系列号：A8013

“A”型是Stucchi平面式快速接头在技术和质量方面都加以提升的高品质系列产品。此系列内部带有高阻力材料的组合设计，确保在更高工作压力同时达到最小压降的完美表现。模块结构设计适应不同的应用都能提供各种螺纹连接或特需的接口，与此同时还能保持紧凑的外型。这些特性使得系列“ A”快速接头在很多液压应用领域确立了领导者的地位，诸如在避免油液损失和油路污染时的必要的上乘表现。

互换性标准：ISO16028和NFPAT3.20.15(HTMA)。

特点：特别适用于工程机械，善于处理峰值压力，高品质，带安全锁，平面式，钢珠锁定，碳钢镀锌。

压力测试：已通过最大工作压力脉冲测试10000次！

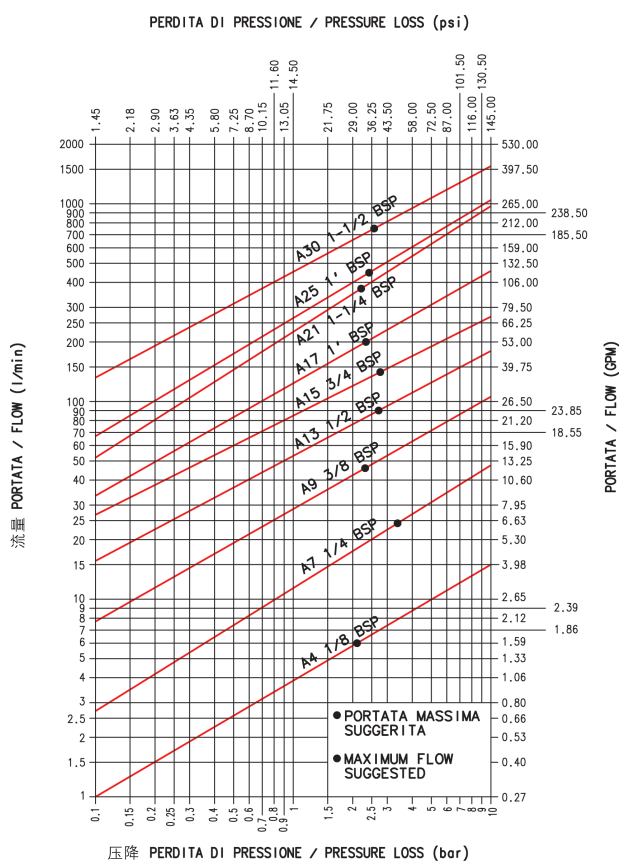


| ISO | CH _f | CH _m | ΦE | L _T | L _f | L _m | F | 母接头(F)订货号 | 公接头(M)订货号 | 组合订货号 |
|------|-----------------|-----------------|----|----------------|----------------|----------------|--------|--------------|--------------|---------------|
| 5.0 | 19 | 17 | 20 | 68.5 | 40 | 36.3 | G1/8 | A4-F-G1/8 | A4-M-G1/8 | A4-FM-G1/8 |
| | | | | | | | 1/8NPT | A4-F-1/8NPT | A4-M-1/8NPT | A4-FM-1/8NPT |
| 6.3 | 27 | 22 | 28 | 90.2 | 53.1 | 47.9 | G1/4 | A7-F-G1/4 | A7-M-G1/4 | A7-FM-G1/4 |
| | | | | | | | 1/4NPT | A7-F-1/4NPT | A7-M-1/4NPT | A7-FM-1/4NPT |
| 10.0 | 30 | 27 | 32 | 108.8 | 64.8 | 60 | G3/8 | A9-F-G3/8 | A9-M-G3/8 | A9-FM-G3/8 |
| | | | | | | | 3/8NPT | A9-F-3/8NPT | A9-M-3/8NPT | A9-FM-3/8NPT |
| 10.0 | 30 | 27 | 32 | 116.3 | 69.8 | 62.5 | G1/2 | A9-F-G1/2 | A9-M-G1/2 | A9-FM-G1/2 |
| | | | | | | | 1/2NPT | A9-F-1/2NPT | A9-M-1/2NPT | A9-FM-1/2NPT |
| 12.5 | 36 | 36 | 38 | 127.6 | 76.8 | 68 | G1/2 | A13-F-G1/2 | A13-M-G1/2 | A13-FM-G1/2 |
| | | | | | | | 1/2NPT | A13-F-1/2NPT | A13-M-1/2NPT | A13-FM-1/2NPT |
| 12.5 | 36 | 36 | 38 | 137.1 | 83.8 | 70.5 | G3/4 | A13-F-G3/4 | A13-M-G3/4 | A13-FM-G3/4 |
| | | | | | | | 3/4NPT | A13-F-3/4NPT | A13-M-3/4NPT | A13-FM-3/4NPT |
| 16.0 | 41 | 36 | 42 | 139.5 | 84 | 73 | G3/4 | A15-F-G3/4 | A15-M-G3/4 | A15-FM-G3/4 |
| | | | | | | | 3/4NPT | A15-F-3/4NPT | A15-M-3/4NPT | A15-FM-3/4NPT |
| 19.0 | 46 | 46 | 48 | 158.7 | 96.8 | 83.7 | G3/4 | A17-F-G3/4 | A17-M-G3/4 | A17-FM-G3/4 |
| | | | | | | | 3/4NPT | A17-F-3/4NPT | A17-M-3/4NPT | A17-FM-3/4NPT |
| 19.0 | 46 | 48 | 48 | 160.7 | 98.8 | 83.7 | G1 | A17-F-G1 | A17-M-G1 | A17-FM-G1 |
| | | | | | | | 1NPT | A17-F-1NPT | A17-M-1NPT | A17-FM-1NPT |
| 25.0 | 55 | 55 | 55 | 178.6 | 104.8 | 96.8 | G1 | A21-F-G1 | A21-M-G1 | A21-FM-G1 |
| | | | | | | | 1NPT | A21-F-1NPT | A21-M-1NPT | A21-FM-1NPT |

| ISO | CH _f | CH _m | ΦE | L _T | L _f | L _m | F | 母接头(F)订货号 | 公接头(M)订货号 | 组合订货号 |
|------|-----------------|-----------------|----|----------------|----------------|----------------|----------|----------------|----------------|-----------------|
| 25.0 | 55 | 55 | 55 | 172.8 | 105.8 | 90 | G1-1/4 | A21-F- G1-1/4 | A21-M- G1-1/4 | A21-FM- G1-1/4 |
| | | | | | | | 1-1/4NPT | A21-F-1-1/4NPT | A21-M-1-1/4NPT | A21-FM-1-1/4NPT |
| 28.5 | 55 | 55 | 65 | 197.1 | 120.1 | 100 | G1 | A25-F- G1 | A25-M- G1 | A25-FM- G1 |
| | | | | 207.1 | 125.1 | 105 | 1NPT | A25-F-1NPT | A25-M-1NPT | A25-FM-1NPT |
| 28.5 | 55 | 55 | 65 | 207.1 | 125.1 | 105 | G1-1/4 | A25-F- G1-1/4 | A25-M- G1-1/4 | A25-FM- G1-1/4 |
| | | | | | | | 1-1/4NPT | A25-F-1-1/4NPT | A25-M-1-1/4NPT | A25-FM-1-1/4NPT |
| 31.5 | 65 | 65 | 80 | 215.1 | 132.4 | 111.1 | G1-1/2 | A30-F- G1-1/2 | A30-M- G1-1/2 | A30-FM- G1-1/2 |
| | | | | | | | 1-1/2NPT | A30-F-1-1/2NPT | A30-M-1-1/2NPT | A30-FM-1-1/2NPT |

压降流量曲线图 (ΔP-Q)

测试条件
 标准: ISO 7241-2
 流体: 油 ISO VG32
 温度: 40°C
 粘度: 28.8~35.2mm²/s



A型A8013系列技术参数

| ISO | DN | 接合状态下 最大工作压力(bar) | 公称流量(L/min) |
|------|------|----------------------|-------------|
| 5.0 | 4.0 | 420 | 3 - 6 |
| 6.3 | 7.0 | 420 | 12 - 24 |
| 10.0 | 9.0 | 350 | 23 - 46 |
| 12.5 | 13.0 | 330 | 45 - 90 |
| 16.0 | 15.0 | 330 | 74 - 148 |
| 19.0 | 17.0 | 330 | 100 - 200 |
| 25 | 21.0 | 300 | 189 - 378 |
| 28.5 | 25.0 | 300 | 225 - 450 |
| 31.5 | 30.0 | 270 | 288 - 750 |



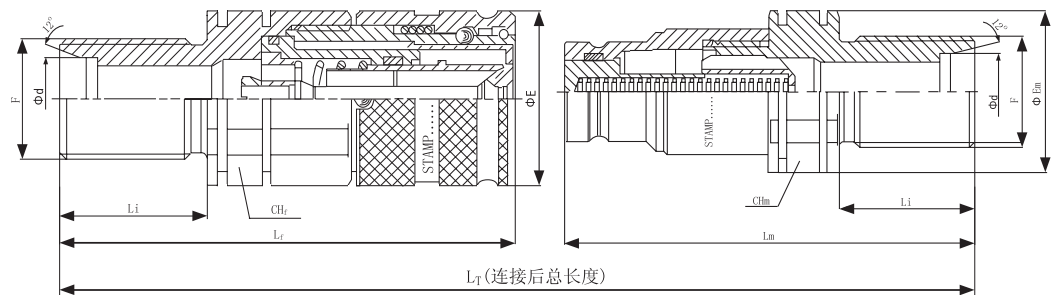
①不可带压操作。②使用防尘帽是非常必要的。③其它对外连接螺纹可按需提供。

晟拓巨博(北京)科技有限公司
 电话: 010-5703 8838
 传真: 010-5812 6703-1002
 邮箱: sales@chinascsc.com
 网站: www.chinascsc.com

特别推荐A型(A8013)卡套式连接型, 对外连接公制(M)外螺纹, DIN2353, 24°锥标准卡套式;
 DIN2353, 24°锥加长(隔板)卡套式。



专利



| ISO | CH _f | CH _m | ΦE | ΦEm | L _T | L _f | L _m | L _i | Φd | F | 母接头 (F) 订货号 | 公接头 (M) 订货号 | 组合订货号 |
|------|-----------------|-----------------|----|------|----------------|----------------|----------------|----------------|------|---------|------------------|------------------|-------------------|
| 6.3 | 27 | 22 | 28 | 23.8 | 52.1 | 52.1 | 51.9 | 10 | | M14×1.5 | A7-F-L8 | A7-M-L8 | A7-FM-L8 |
| | 27 | 22 | 28 | 23.8 | 123 | 67.1 | 66.9 | 25 | | M14×1.5 | A7-F-L8-SCHOTT | A7-M-L8-SCHOTT | A7-FM-L8-SCHOTT |
| 6.3 | 27 | 22 | 28 | 23.8 | 95.2 | 53.1 | 52.9 | 11 | 10.2 | M16×1.5 | A7-F-L10 | A7-M-L10 | A7-FM-L10 |
| | 27 | 22 | 28 | 23.8 | 125.2 | 68.1 | 67.9 | 26 | 10.2 | M16×1.5 | A7-F-L10-SCHOTT | A7-M-L10-SCHOTT | A7-FM-L10-SCHOTT |
| 10 | 30 | 30 | 32 | 32 | 139.3 | 89.8 | 65.5 | 11 | 10.2 | M16×1.5 | A9-F-L10 | A9-M-L10 | A9-FM-L10 |
| | 30 | 30 | 32 | 32 | 149.1 | 84.6 | 80.5 | 26 | 10.2 | M16×1.5 | A9-F-L10-SCHOTT | A9-M-L10-SCHOTT | A9-FM-L10-SCHOTT |
| 10 | 30 | 30 | 32 | 32 | 117.1 | 67.6 | 65.5 | 11 | 12.2 | M18×1.5 | A9-F-L12 | A9-M-L12 | A9-FM-L12 |
| | 30 | 30 | 32 | 32 | 147.1 | 82.6 | 80.5 | 26 | 12.2 | M18×1.5 | A9-F-L12-SCHOTT | A9-M-L12-SCHOTT | A9-FM-L12-SCHOTT |
| 10 | 30 | 30 | 32 | 32 | 119.1 | 68.6 | 66.5 | 12 | 15.2 | M22×1.5 | A9-F-L15 | A9-M-L15 | A9-FM-L15 |
| | 30 | 30 | 32 | 32 | 149.1 | 83.6 | 81.5 | 27 | 15.2 | M22×1.5 | A9-F-L15-SCHOTT | A9-M-L15-SCHOTT | A9-FM-L15-SCHOTT |
| 10 | 30 | 30 | 32 | 32 | 119 | 68.6 | 66.5 | 12 | 18.2 | M26×1.5 | A9-F-L18 | A9-M-L18 | A9-FM-L18 |
| | 30 | 30 | 32 | 32 | 149 | 83.6 | 81.5 | 27 | | M26×1.5 | A9-F-L18-SCHOTT | A9-M-L18-SCHOTT | A9-FM-L18-SCHOTT |
| 12.5 | 36 | 36 | 38 | 40 | 132.9 | 79.1 | 71 | 11 | 12.2 | M18×1.5 | A13-F-L12 | A13-M-L12 | A13-FM-L12 |
| | 36 | 38 | 38 | 40 | 162.9 | 94.1 | 86 | 26 | 12.2 | M18×1.5 | A13-F-L12-SCHOTT | A13-M-L12-SCHOTT | A13-FM-L12-SCHOTT |
| 12.5 | 36 | 36 | 38 | 40 | 134.9 | 80.1 | 72 | 12 | 15.2 | M22×1.5 | A13-F-L15 | A13-M-L15 | A13-FM-L15 |
| | 36 | 38 | 38 | 40 | 164.9 | 95.1 | 87 | 27 | 15.2 | M22×1.5 | A13-F-L15-SCHOTT | A13-M-L15-SCHOTT | A13-FM-L15-SCHOTT |
| 12.5 | 36 | 36 | 38 | 40 | 139 | 82.1 | 74 | 14 | 22.2 | M30×2 | A13-F-L22 | A13-M-L22 | A13-FM-L22 |
| | 36 | 36 | 38 | 40 | 179 | 102.1 | 94 | 34 | 22.2 | M30×2 | A13-F-L22-SCHOTT | A13-M-L22-SCHOTT | A13-FM-L22-SCHOTT |
| 16 | 41 | 36 | 42 | 38.5 | 140 | 84.5 | 73 | 12 | 15.2 | M22×1.5 | A15-F-L15 | A15-M-L15 | A15-FM-L15 |
| | 41 | 36 | 42 | 38.5 | 168 | 97.5 | 88 | 27 | 18.2 | M26×1.5 | A15-F-L18-SCHOTT | A15-M-L18-SCHOTT | A15-FM-L18-SCHOTT |
| | 41 | 36 | 42 | 38.5 | 138 | 81.5 | 74 | 14 | 22.2 | M30×2 | A15-F-L22 | A15-M-L22 | A15-FM-L22 |
| 19 | 46 | 46 | 48 | 49.8 | 168 | 100.3 | 89 | 14 | 22.2 | M30×2 | A17-F-L22 | A17-M-L22 | A17-FM-L22 |
| | 46 | 46 | 48 | 49.8 | 199 | 116.3 | 104 | 27 | 18.2 | M26×1.5 | A17-F-L18-SCHOTT | A17-M-L18-SCHOTT | A17-FM-L18-SCHOTT |
| 19 | 46 | 46 | 48 | 49.8 | 207.2 | 120.3 | 109 | 34 | 22.2 | M30×2 | A17-F-L22-SCHOTT | A17-M-L22-SCHOTT | A17-FM-L22-SCHOTT |
| 6.3 | 27 | 22 | 28 | 23.8 | 97.2 | 54.1 | 53.9 | 12 | 10.2 | M18×1.5 | A7-F-S10 | A7-M-S10 | A7-FM-S10 |
| 10 | 30 | 27 | 32 | 32 | 121 | 70.6 | 66.5 | 12 | 10.2 | M18×1.5 | A9-F-S10 | A9-M-S10 | A9-FM-S10 |
| | 30 | 30 | 32 | 32 | 119.1 | 68.6 | 66.5 | 12 | 12.2 | M20×1.5 | A9-F-S12 | A9-M-S12 | A9-FM-S12 |
| 12.5 | 36 | 36 | 38 | 40 | 135 | 80.1 | 72 | 12 | 12.2 | M20×1.5 | A13-F-S12 | A13-M-S12 | A13-FM-S12 |
| | 36 | 36 | 38 | 40 | 165 | 95.1 | 87 | 27 | 12.2 | M20×1.5 | A13-F-S12-SCHOTT | A13-M-S12-SCHOTT | A13-FM-S12-SCHOTT |
| 12.5 | 36 | 36 | 38 | 40 | 139 | 82.1 | 74 | 14 | 16.2 | M24×1.5 | A13-F-S16 | A13-M-S16 | A13-FM-S16 |
| | 36 | 36 | 38 | 40 | 149 | 97.1 | 69 | 29 | 16.2 | M24×1.5 | A13-F-S16-SCHOTT | A13-M-S16-SCHOTT | A13-FM-S16-SCHOTT |
| 16 | 41 | 36 | 42 | 38.5 | 145 | 85 | 77 | 16 | 20.2 | M30×2 | A15-F-S20 | A15-M-S20 | A15-FM-S20 |
| | 41 | 41 | 42 | 44.8 | 151 | 85.5 | 83 | 18 | 25.2 | M36×2 | A15-F-S25 | A15-M-S25 | A15-FM-S25 |
| 19 | 46 | 46 | 48 | 49.8 | 214 | 124.3 | 111 | 36 | 20.2 | M30×2 | A17-F-S20-SCHOTT | A17-M-S20-SCHOTT | A17-FM-S20-SCHOTT |
| | 46 | 46 | 48 | 48.8 | 215.5 | 124.3 | 113 | 38 | 25.2 | M36×2 | A17-F-S25-SCHOTT | A17-M-S25-SCHOTT | A17-FM-S25-SCHOTT |
| 25 | 55 | 55 | 55 | 59.8 | 231 | 131.8 | 122 | 40 | 30.2 | M42×2 | A21-F-S30-SCHOTT | A21-M-S30-SCHOTT | A21-FM-S30-SCHOTT |

 后缀-SCHOTT为隔板式